



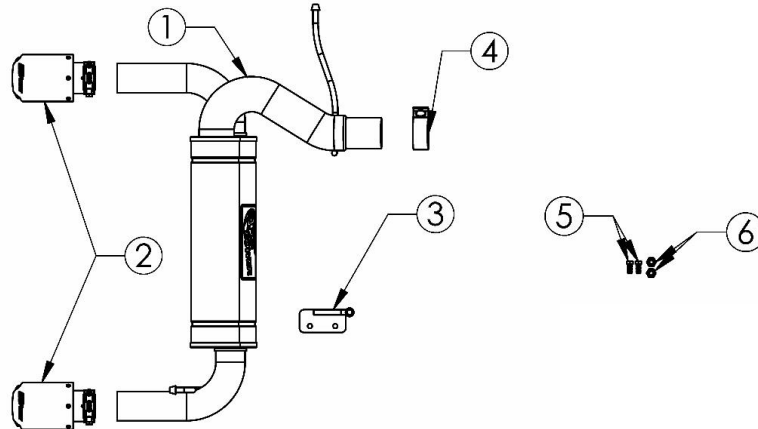
# INSTALLATION INSTRUCTIONS

**Axle-Back Exhaust**

**MAKE:** Ford  
**MODEL:** Bronco  
**YEAR:** 2021-2023  
**ENGINE:** L4-2.3L(t)/V6-2.7L(tt)

49-33137-P  
 49-33137-B  
 49-33137-C

**NOTE: Fits 2 Door and 4 Door models**



Item	Description	Part Number	Quantity
1	Muffler Assembly	05-245226	1
2	EXH Tip 2-1/2 In x 4 Out x 7L Bolt-On Pol	49T25404-P06	2
2	EXH Tip 2-1/2 In x 4 Out x 7L Bolt-On Blk	49T25404-B06	2
2	EXH Tip 2-1/2 In x 4 Out x 7L Bolt-On CF	49T25404-C07	2
3	Hanger Bracket	05-410524	1
4	Clamp, Band: 3"	05-41055	1
5	Bolt, M8 x 1.25 x 25mm	03-50442	2
6	Nut, M8 x 1.25	03-50403	2

aFe POWER recommends professional installation on this product. Thoroughly inspect the aFe POWER exhaust system to make sure there is no damage from shipping (if damage is noted, immediately contact aFe POWER customer service). Allow time for your vehicle to cool down prior to installation. When working on your vehicle proceed with caution. Wear protective safety equipment; eye goggles and gloves to ensure a safe installation.

Install band clamps to proper torque specifications of 40-45 ft-lb.

Install V-band clamps with anti-seize lubricant and hand tighten only to torque specifications of 10-15 ft-lb.



Image 1

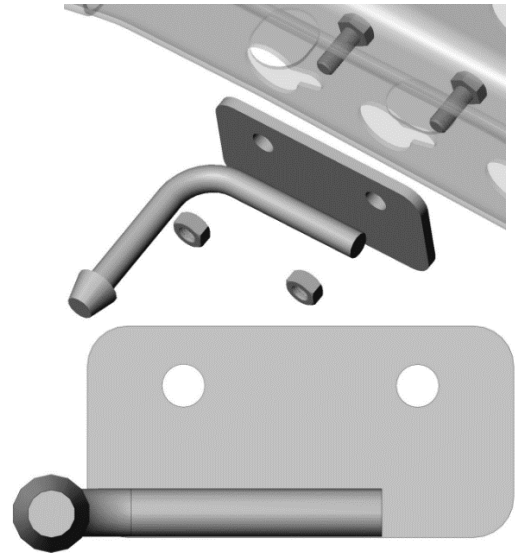


Image 2 NOTE: 2.3L Requires Hanger Bracket (05-245239) Included. See Step 8



## INSTALLATION INSTRUCTIONS

Axle-Back Exhaust

MAKE: Ford  
MODEL: Bronco  
YEAR: 2021-2022  
ENGINE: L4-2.3L(t)/V6-2.7L(tt)

49-33137-P

49-33137-B

49-33137-C

**NOTE: Fits 2 Door and 4 Door models**

1. **(Read instructions prior to installation.)** It is recommended to not fully tighten the exhaust until it has been fully installed. Leave loose for adjustability.
2. Secure vehicle on jack stands (refer to your manual for specified jack stand positions).
3. For faster installation, spread out the parts of the exhaust alongside your vehicle as shown in the diagram above.
4. Secure the stock exhaust with jack/stands.
5. Loosen the O.E. clamp on the O.E. Over-Axle. Slide the two rear hangers from the Rubber Isolator Mounts holding the O.E. Muffler.
6. Remove the O.E. Muffler from vehicle.
7. Slide aFe Power Muffler Assembly into the O.E. Over-Axle Pipe and secure with provided 3" band clamp.
8. **For 2.3L Models ONLY, Remove O.E. Rear Bumper by removing the 3x bolts seen in image 3 and 1x bolt in image 4 on right and left side of vehicle. Remove the O.E. hanger bracket from the vehicle by loosening the 2x bolts and sliding the bracket towards the passenger side of the vehicle. Install aFe Power Hanger Bracket by loosely installing hardware onto Hanger Bracket and installing hanger onto frame and tightening. Reinstall O.E. Rear Bumper.**
9. Install the hangers from aFe Power Muffler assembly into O.E. Rubber Isolator Mounts.
10. Install aFe Power Tips.
11. Ensure that all the components of the aFe POWER exhaust system are aligned and are at a safe clearance from all wires, hoses, brake lines, body parts, and tires.
12. Start from the front of the aFe exhaust system and evenly tighten all clamps and fasteners.
13. Start the vehicle and check for any leaks. If any leaks are found, determine cause and repair as necessary.
14. Remove vehicle from jacks stands.
15. It is recommended to re-tighten all clamps and hardware after 50-100 miles.

