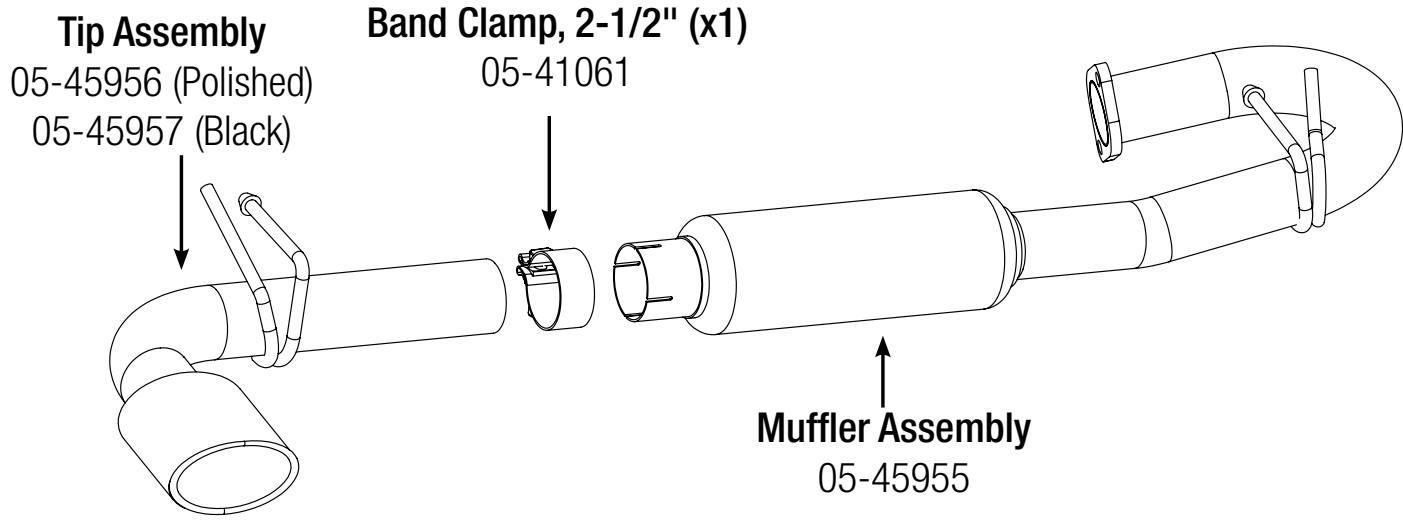


INSTALLATION INSTRUCTIONS

MAKE: Scion
MODEL: tC
YEAR: 2011-2016
ENGINE: L4-2.5L

304 Stainless Steel Exhaust
49-36025-P (Polished)
49-36025-B (Black)



- Step 1:** (Read Instructions prior to installation) As you go about the installation / un-installation process; ensure to use proper support (examples: lift, jack stands, support stands).
- Step 2:** Remove the two stock center pipe rear bolts holding the stock muffler and pipe assembly to the stock center pipe. Do not loose these stock bolts, as they will be used later. The muffler and pipe assembly will hang in place due to the two stock isolation mounts. Before proceeding to remove these, support this assembly with a jack and / or support stand.
- Step 3:** Remove the hangers out of the stock isolation mounts. Once complete remove the supports and lower your stock muffler and pipe assembly and remove it from the vehicle. Ensure the stock isolation mounts (if removed) return back to their allocated location.
- Step 4:** With the stock system removed, proceed to install your aFe exhaust system. First install your muffler assembly Utilizing the stock isolation mounts, slip the hangers on the muffler assembly into the mounts. Before proceeding, support this assembly with a jack and / or support stand.
- Step 5:** Using the stock bolts, and the supplied bolts; tighten the muffler assembly to the stock center pipe. Do not fully tighten.
- Step 6:** Install the tip assembly into the muffler assembly. Properly adjust the height for the tip to be directly center within the bumper faring of your vehicle.
- Step 7:** Once your adjustments have been made, begin to fully tighten the entire system. Re-check all your work before removing any support stands.
- Step 8:** Congratulation your installation is now complete. It is recommended to re-tighten all exhaust components after 50 – 100 miles. Take note; it is normal for your exhaust system to emit smoke and / or an odor for the first few minutes upon initial start-up.

Caution: Allow time for your vehicle to cool down prior to installation. When working on or under your vehicle proceed with caution. Exhaust systems reach high temperatures and may cause serious burns. Wear protective safety equipment; eye goggles and gloves to ensure a safe installation. **aFe recommends professional installation on our products.**