

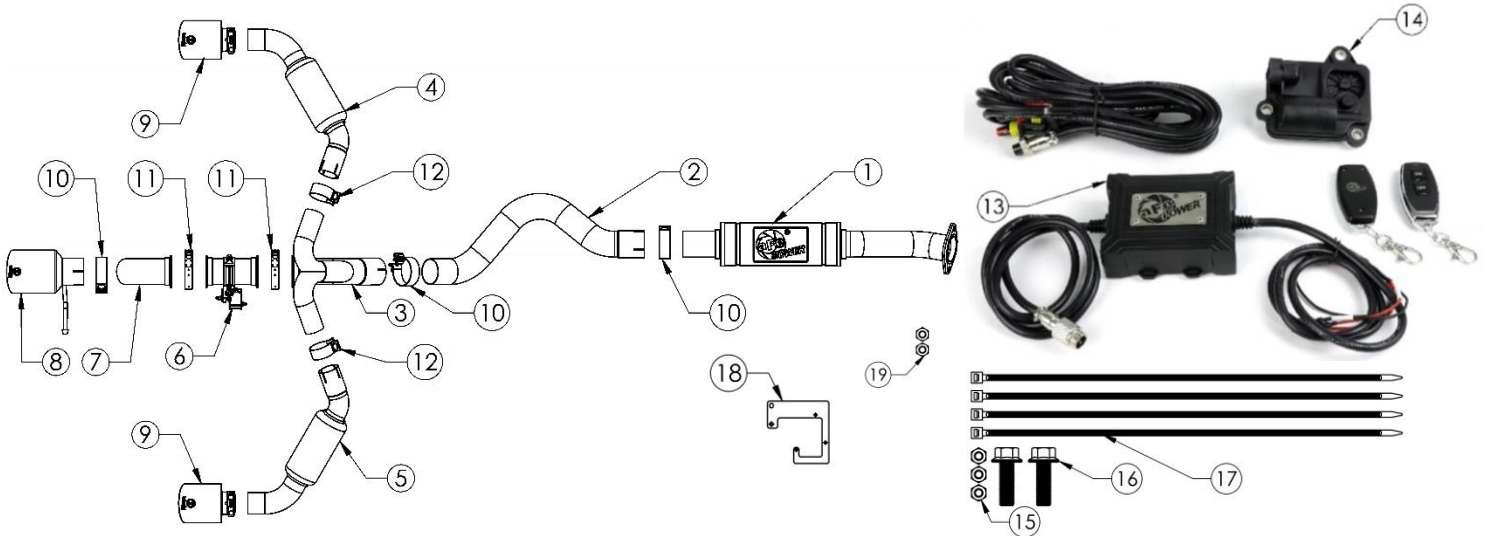


INSTALLATION INSTRUCTIONS

Cat-Back Exhaust

MAKE: Toyota
MODEL: GR Corolla
YEAR: 2023-2024
ENGINE: L3-1.6L (t)

49-36070-B
 49-36070-P



Item	Description	Part Number	Quantity
1	Front Pipe	05-245471	1
2	Mid Pipe	05-245472	1
3	Y-pipe	05-245473	1
4	Driver Side Tail Pipe	05-245474	1
5	Passenger Side Tail Pipe	05-245475	1
6	Valve Assembly	05-245476	1
7	Middle Tail Pipe w/ Tip	05-245504	1
8	GR Corolla Center Tip Blk	05-245506B	1
8	GR Corolla Center Tip Pol	05-245506	1
9	EXH Tip 2-1/2 In x 4-1/2 Out x 7L Bolt-On Blk	49T25454-B07	2
9	EXH Tip 2-1/2 In x 4-1/2 Out x 7L Bolt-On Pol	49T25454-P07	2
10	Clamp, Band: 3"	05-41055	3
11	Clamp, V-Band (2-2/3" – 3")	05-41588	2
12	Clamp, Band: 2-1/4"	05-41210	2
13	Controller, Exhaust Valve	05-70041	1
14	Motor, Exhaust Valve: 12 Volt	05-70042	1
15	Nut, M6 x 1	03-50059	3
16	Bolt, M10 x 1.25 x 30mm	03-50469	2
17	Ties, Nylon Cable	05-60167	4
18	Plate, Support GR Corolla Exhaust Valve	05-46565	1
19	Nut, M10 x 1.25	03-50400	2

aFe POWER recommends professional installation on this product. Thoroughly inspect the aFe POWER exhaust system to make sure there is no damage from shipping (if damage is noted, immediately contact aFe POWER customer service). Allow time for your vehicle to cool down prior to installation. When working on your vehicle proceed with caution. Wear protective safety equipment; eye goggles and gloves to ensure a safe installation.

Install band clamps to proper torque specifications of 40-45 ft-lb.

Install V-band clamps with anti-seize lubricant and hand tighten only to torque specifications of 10-15 ft-lb.

- (Read instructions prior to installation.)** It is recommended to not fully tighten the exhaust until it has been fully installed. Leave loose for adjustability.



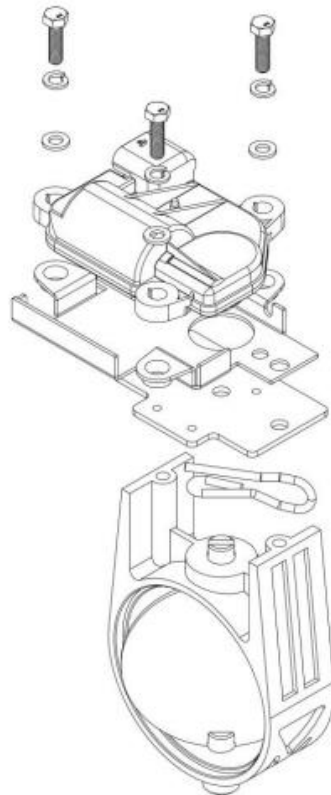
INSTALLATION INSTRUCTIONS

Cat-Back Exhaust

MAKE: Toyota
MODEL: GR Corolla
YEAR: 2023-2024
ENGINE: L3-1.6L (t)

49-36070-B
49-36070-P

2. Secure vehicle on jack stands (refer to your manual for specified jack stand positions).
3. For faster installation, spread out the parts of the exhaust alongside your vehicle as shown in the diagram above.
4. Secure the stock exhaust with jack/stands.
5. Unplug the Valve Motor from the O.E. Exhaust.
6. Remove the Hardware from the O.E. Front Pipe Flange (located after the O.E. Catalytic Converter).
7. Remove the hangers from the O.E. Rubber Isolation Mounts and remove the O.E. Exhaust from the Vehicle.
8. Install the aFe Power Front Pipe using the provided. Hardware. Slide the hanger into the vehicle's Rubber Isolation Mount.
9. Slide the aFe Power Mid Pipe into the aFe Power Front Pipe and secure with provided 3" Band Clamp.
10. Slide the aFe Power Y-Pipe into the aFe Power Mid Pipe and secure with provided 3" Band Clamp.
11. Slide the aFe Power Driver Side Tail Pipe into the aFe Power Y-Pipe and secure with provided 2-1/4" Band Clamp. Slide the hangers into the O.E. Rubber Isolation Mounts.
12. Slide the aFe Power Passenger Side Tail Pipe into the aFe Power Y-Pipe and secure with provided 2-1/4" Band Clamp. Slide the hangers into the O.E. Rubber Isolation Mounts.
13. Install the aFe Power Valve Assembly to the aFe Power Y-Pipe using the provided V-Band.
14. Transfer the O.E. Valve Motor from the O.E. Exhaust System to the aFe Power Support Plate using O.E. Bolts and provided Nuts.
15. Install the aFe Power Middle Tail Pipe w/ Tip to the aFe Power Valve Assembly using the provided V-Band. Install aFe Power GR Corolla Center Tip using the provided V-Band & slide the Hanger into the O.E. Rubber Isolation Mount.
16. Install aFe Power Exhaust Tips.
17. Install the Exhaust Valve Motor to the aFe Power Valve Assembly using the supplied hardware. **Refer to FIG 1 Below.**



1



INSTALLATION INSTRUCTIONS

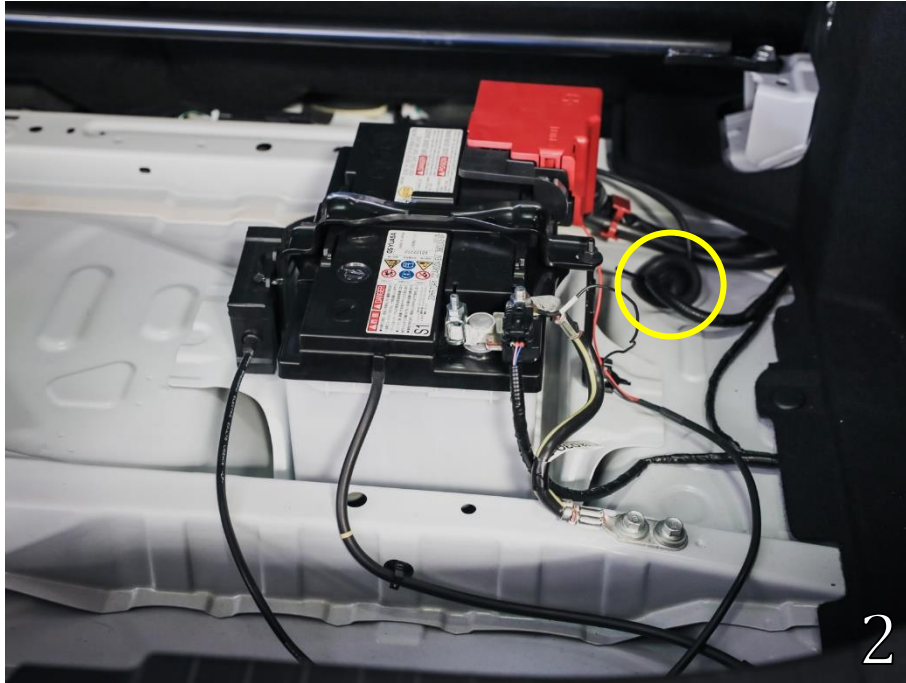
MAKE: Toyota
MODEL: GR Corolla
YEAR: 2023-2024
ENGINE: L3-1.6L (t)

Cat-Back Exhaust

49-36070-B

49-36070-P

18. Remove the trunk cover, spare tire, and tools from the trunk of the vehicle. Locate the drain plug and create a hole to run the wire harness through. **Refer to FIG 2.**



19. In the Battery compartment use a piece of Velcro on the control box to hold it to the battery. Run the wire ring terminals to the battery and run the rest of the wire through the drain plug highlighted in FIG 2.
20. Install the aFe Power Plate Support with the O.E. Valve Motor to the Chassis Using Provided Nuts. **Ref to FIG 3.**
21. Run the wiring harness along the Rear Passenger Side Chassis towards the valve on the aFe Power Valve Assembly. Organize any other loose wires and secure them with zip ties. **Refer to FIG 3.**





INSTALLATION INSTRUCTIONS

MAKE: Toyota
MODEL: GR Corolla
YEAR: 2023-2024
ENGINE: L3-1.6L (t)

Cat-Back Exhaust

49-36070-B

49-36070-P

-
22. Connect the aFe Power wire harness into the aFe Power Exhaust Valve Motor.
 23. Reconnect the O.E. Valve motor to the O.E. Wiring Harness.
 24. Reinstall the Spare tire, tools, and trunk cover.
 25. Ensure that all the components of the aFe POWER exhaust system are aligned and are at a safe clearance from all wires, hoses, brake lines, body parts, and tires.
 26. Start from the front of the aFe exhaust system and evenly tighten all clamps and fasteners.
 27. Start the vehicle and check for any leaks. If any leaks are found, determine cause and repair as necessary.
 28. Remove vehicle from jacks stands.
 29. It is recommended to re-tighten all clamps and hardware after 50-100 miles.