

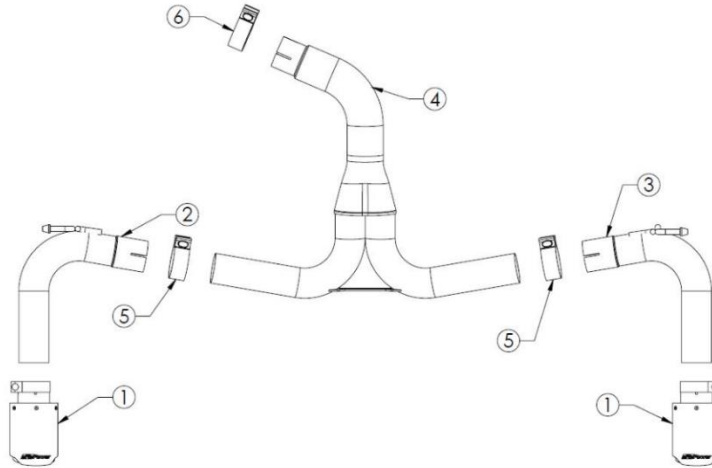


INSTALLATION INSTRUCTIONS

Axle-Back Exhaust

MAKE: Volkswagen
MODEL: GTI Mk VII
YEAR: 2015-2017
ENGINE: I4-2.0L (t)

49-36417-P
 49-36417-B
 49-36417-C



Item	Description	Part Number	Quantity
1	EXH Tip 2-1/2 In x 4 Out x 7L Bolt-On CF	49T25404-C07	2
1	EXH Tip 2-1/2 In x 4 Out x 7L Bolt-On Pol	49T25404-P06	2
1	EXH Tip 2-1/2 In x 4 Out x 7L Bolt-On Blk	49T25404-B06	2
2	S/A Tube, Tail Pipe, Driver	05-145754	1
3	S/A Tube, Tail Pipe, Passenger	05-145755	1
4	S/A Tube, Y-Pipe Assembly	05-145756	1
5	Clamp, Band: 2.5"	05-145693	2
6	Clamp, Band: 2.62"	05-410247	1

aFe POWER recommends professional installation on this product. Thoroughly inspect the aFe POWER exhaust system to make sure there is no damage from shipping (if damage is noted, immediately contact aFe POWER customer service). Allow time for your vehicle to cool down prior to installation. When working on your vehicle proceed with caution. Wear protective safety equipment; eye goggles and gloves to ensure a safe installation.

Install band clamps to proper torque specifications of 40-45 ft-lb.





INSTALLATION INSTRUCTIONS

Axle-Back Exhaust

MAKE: Volkswagen
MODEL: GTI Mk VII
YEAR: 2015-2017
ENGINE: I4-2.0L (t)

49-36417-P
49-36417-B
49-36417-C

1. **(Read instructions prior to installation.)** It is recommended to not fully tighten the exhaust until it has been fully installed. Leave loose for adjustability.
2. Secure vehicle on jack stands (refer to your manual for specified jack stand positions).
3. For faster installation, spread out the parts of the exhaust alongside your vehicle as shown in the diagram above.
4. Secure the stock exhaust with jack/stands.
5. Remove the stock axle back exhaust by unbolting it from the sleeve clamp and removing it from the rubber isolation mounts.
6. Install the aFe POWER Y-pipe assembly and slide the provided (x1) 2.5" band clamp and slide onto the stock mid pipe, but do not tighten.
7. Install the aFe POWER tail pipe driver and passenger side assembly using the provided (x2) 2.5" band clamps and slide on the Y-pipe assembly and into the rubber isolation mounts.
8. Install the aFe POWER exhaust tips to the left and right tail pipe assemblies of the exhaust, but do not tighten.
9. Ensure that all the components of the aFe POWER exhaust system are aligned and are at a safe clearance from all wires, hoses, brake lines, body parts, and tires.
10. Start from the front of the aFe exhaust system and evenly tighten all clamps and fasteners.
11. Start the vehicle and check for any leaks. If any leaks are found, determine cause and repair as necessary.
12. Remove vehicle from jacks stands.
13. It is recommended to re-tighten all clamps and hardware after 50-100 miles.