

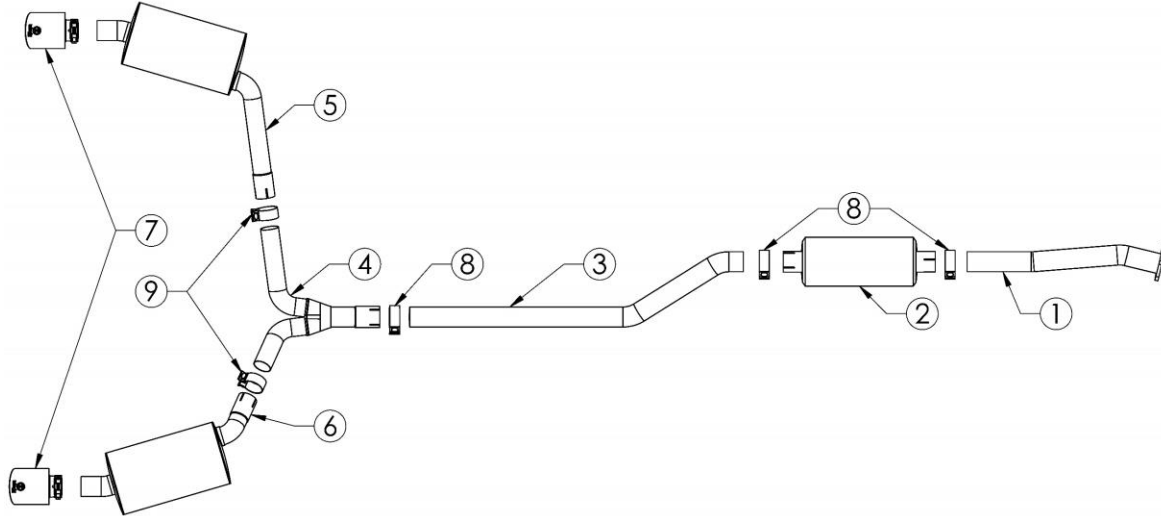


# INSTALLATION INSTRUCTIONS

Cat-Back Exhaust

MAKE: Acura  
 MODEL: TSX  
 YEAR: 2009-2014  
 ENGINE: L4-2.4L

49-36629-B  
 49-36629-C  
 49-36629-L  
 49-36629-P



Item	Description	Part Number	Quantity
1	Front Pipe	05-245450	1
2	Resonator Assembly	05-245455	1
3	Mid-Pipe	05-245451	1
4	Y-Pipe	05-245452	1
5	Driver Side Tailpipe	05-245453	1
6	Passenger Side Tailpipe	05-245454	1
7	EXH Tip 2-1/2 In x 4-1/2 Out x 7L Bolt On Blk	49T25454-B07	2
7	EXH Tip 2-1/2 In x 4-1/2 Out x 7L Bolt On CF	49T25454-C07	2
7	EXH Tip 2-1/2 In x 4-1/2 Out x 7L Bolt On Blue	49T25454-L07	2
7	EXH Tip 2-1/2 In x 4-1/2 Out x 7L Bolt On Pol	49T25454-P07	2
8	Clamp, Band: 2-1/2"	05-41061	3
9	Clamp, Band: 2-1/4"	05-41210	2

aFe POWER recommends professional installation on this product. Thoroughly inspect the aFe POWER exhaust system to make sure there is no damage from shipping (if damage is noted, immediately contact aFe POWER customer service). Allow time for your vehicle to cool down prior to installation. When working on your vehicle proceed with caution. Wear protective safety equipment; eye goggles and gloves to ensure a safe installation.

Install band clamps to proper torque specifications of 40-45 ft-lb.

Install V-band clamps with anti-seize lubricant and hand tighten only to torque specifications of 10-15 ft-lb.





## INSTALLATION INSTRUCTIONS

**MAKE:** Acura  
**MODEL:** TSX  
**YEAR:** 2009-2014  
**ENGINE:** L4-2.4L

## Cat-Back Exhaust

49-36629-B  
49-36629-C  
49-36629-L  
49-36629-P

---

1. **(Read instructions prior to installation.)** It is recommended to not fully tighten the exhaust until it has been fully installed. Leave loose for adjustability.
2. Secure vehicle on jack stands (refer to your manual for specified jack stand positions).
3. For faster installation, spread out the parts of the exhaust alongside your vehicle as shown in the diagram above.
4. Secure the stock exhaust with jack/stands.
5. Remove the (x3) nuts securing the O.E. Front Pipe to the O.E. Downpipe. Retain nuts, they will be reused.
6. Remove hangers from the Rubber Mount Isolators and remove the exhaust from the vehicle.
7. Install Takeda Front Pipe using O.E. nuts and supplied gasket. Slide Hangers into O.E. Rubber Mount Isolators.
8. Slide Takeda Front Pipe into Takeda Resonator and secure with provided 2-1/2" Band Clamp.
9. Slide Takeda Mid-Pipe into Takeda Resonator Assembly and secure with provided 2-1/2" Band Clamp.
10. Slide Takeda Y-Pipe into Takeda Mid-Pipe and secure with provided 2-1/2" Band Clamp. Slide Hangers into O.E. Rubber Mount Isolators.
11. Slide Takeda Driver Side Muffler Assembly into Takeda Y-Pipe and secure with provided 2-1/4" Band Clamp. Slide Hangers into O.E. Rubber Mount Isolators.
12. Slide Takeda Passenger Side Muffler Assembly into Takeda Y-Pipe and secure with provided 2-1/4" Band Clamp. Slide Hangers into O.E. Rubber Mount Isolators.
13. Install Takeda Tips.
14. Ensure that all the components of the aFe POWER exhaust system are aligned and are at a safe clearance from all wires, hoses, brake lines, body parts, and tires.
15. Start from the front of the aFe exhaust system and evenly tighten all clamps and fasteners.
16. Start the vehicle and check for any leaks. If any leaks are found, determine cause and repair as necessary.
17. Remove vehicle from jacks stands.
18. It is recommended to re-tighten all clamps and hardware after 50-100 miles.