

## Thank you for choosing Rough Country

Please read instructions before beginning installation. Check the kit hardware against the parts list and product layout. Be sure you have all needed parts and know where they go. Also please review tools needed list and make sure you have needed tools. If question exist we will be happy to answer any questions concerning the design, function, and correct use of this product.

### Kit Contents:

- 1- Dr Main Step Rail
- 1- Pass Main Step Rail
- 6- Step Rail Mounting Brackets
- 6- Body Side Bracket
- 1- 90769ABag including:
  - 6- 8mm x 35mm Bolts
  - 24- 8mm Oversize Flat Washers
  - 12- 8mm x 20mm Bolts
  - 12- 8mm Flange Lock nuts
  - 12- 8mm Flat Washers
  - 18- 8mm x 25mm Bolts

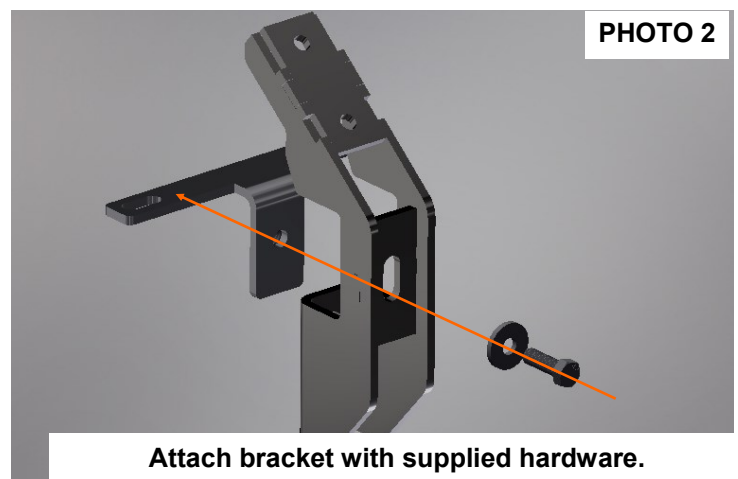
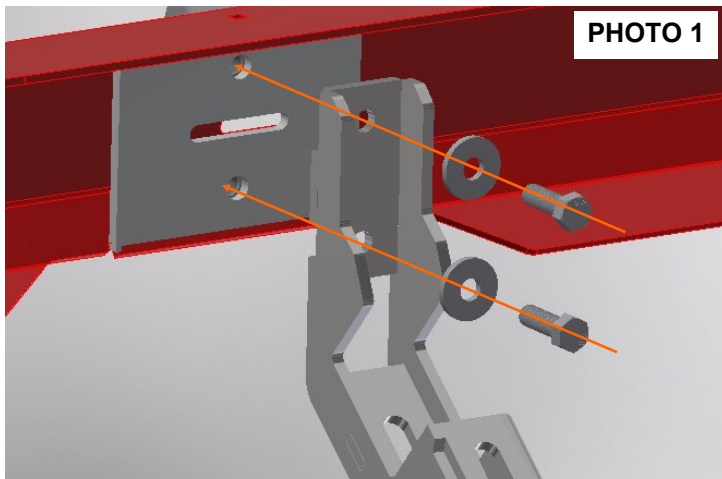
### Tools Needed:

- 13mm Socket/Wrench
- Ratchet
- Torque Wrench

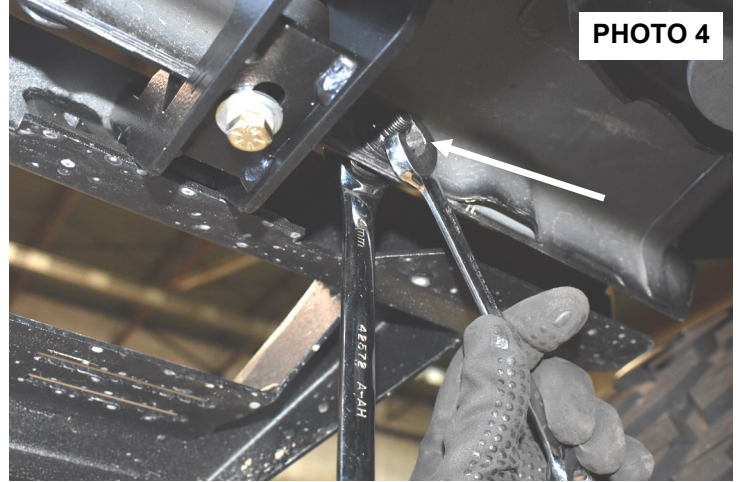
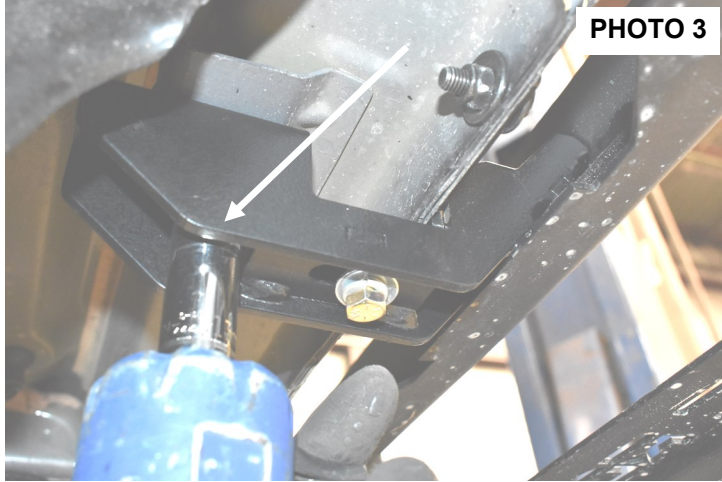


## INSTALLATION INSTRUCTIONS

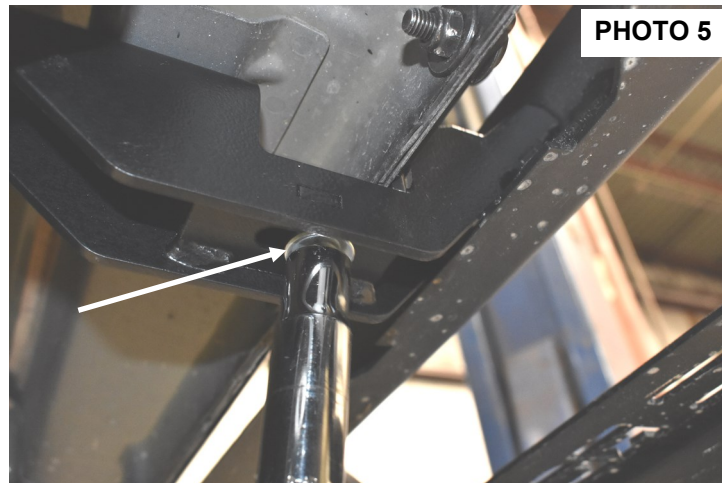
1. Place vehicle on a flat surface and set emergency brake.
2. On a flat surface, attach the step rail mounting brackets to the main rail using the supplied 8mm x 20mm bolts and flat washers. **See Photo 1.** Tighten using a 13mm wrench. Torque to 18 ft-lbs.
3. Assemble the body side bracket to the rail bracket with the supplied 8mm x 25mm bolt and oversized flat washer. **See Photo 2.**



4. Position the steps with mounting brackets on the Jeep. Line up the factory holes in the body and install the supplied qty 3 - 8mm x 35mm bolts and oversized flat washers or factory hardware to attach. **See Photo 3.**
5. Install the supplied 8mm x 25mm bolts in each bracket using factory holes in the body seam as shown with the supplied (2) oversized flat washers and locking nuts. **See Photo 4.**
6. Tighten the 8MM x 35mm bolts and then tighten the 8mm x 25mm bolts using a 13mm wrench.



7. Adjust the steps as needed and tighten the 8mm x 35mm bolt using a 13mm wrench. **See Photo 5.**



**Torque Specs:**

Size	Grade 5	Grade 8	Class 8.8	Class 10.9
5/16"	15 ft/lbs	20 ft/lbs	6MM	5 ft/lbs
3/8"	30 ft/lbs	35 ft/lbs	8MM	9 ft/lbs
7/16"	45 ft/lbs	60 ft/lbs	10MM	18ft/lbs
1/2"	65 ft/lbs	90 ft/lbs	12MM	23 ft/lbs
9/16"	95 ft/lbs	130 ft/lbs	14MM	32ft/lbs
5/8"	135 ft/lbs	175 ft/lbs	16MM	45ft/lbs
3/4"	185 ft/lbs	280 ft/lbs	18MM	55ft/lbs
				75ft/lbs
				120ft/lbs
				165ft/lbs
				240ft/lbs

**THANK YOU FOR CHOOSING ROUGH COUNTRY FOR YOUR OFF ROAD NEEDS.**

By purchasing any item sold by Rough Country, LLC, the buyer expressly warrants that he/she is in compliance with all applicable, State, and Local laws and regulations regarding the purchase, ownership, and use of the item. It shall be the buyers responsibility to comply with all Federal, State and Local laws governing the sales of any items listed, illustrated or sold. The buyer expressly agrees to indemnify and hold harmless Rough Country, LLC for all claims resulting directly or indirectly from the purchase, ownership, or use of the items.

