



KRYPTONITE

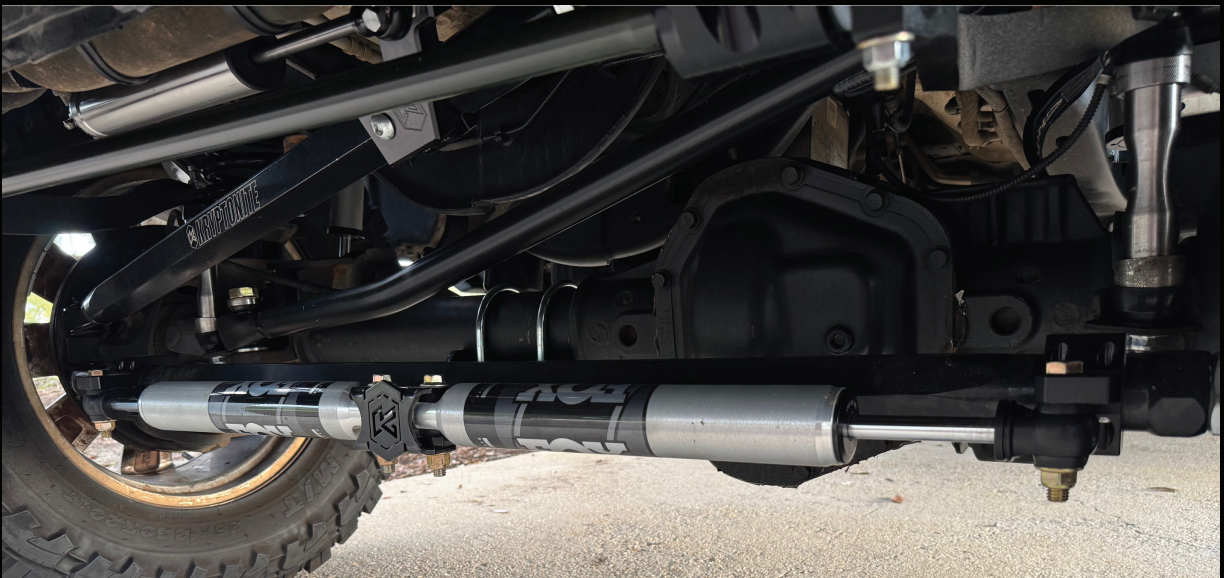
FORD SUPER DUTY DUAL STEERING STABILIZER KIT INSTALLATION

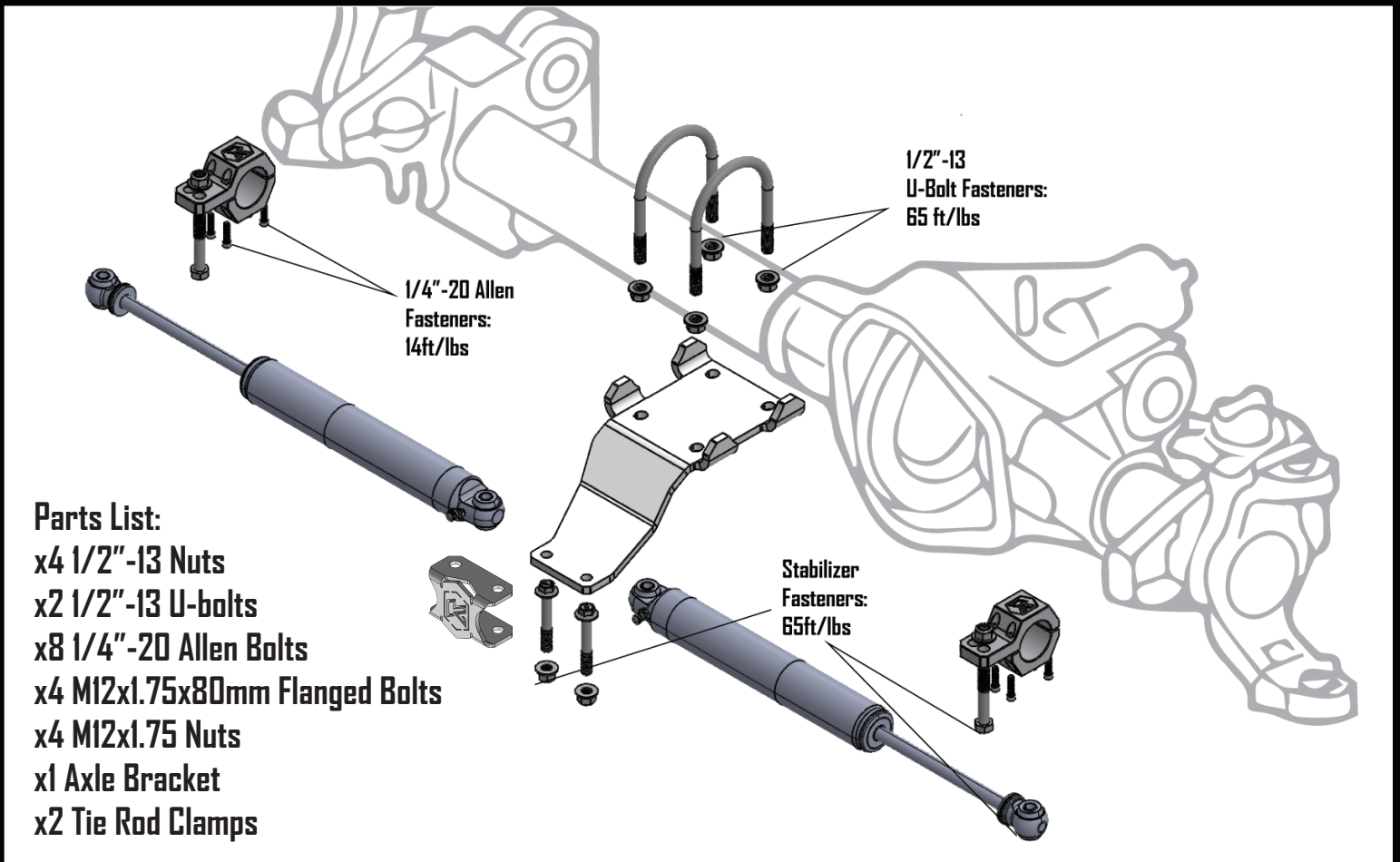
PLEASE READ AND UNDERSTAND THESE INSTRUCTIONS PRIOR TO INSTALLATION. INCORRECT INSTALLATION MAY RESULT IN DAMAGE TO PARTS.

PRO TIP:

-Having the truck aligned prior to installing this kit is advisable, it will make the alignment process a little easier.
-Take inventory of the kit contents BEFORE you begin installation. Contact us within 30 days of delivery if you are missing anything. (See diagram for list)

1. Find a clean and level surface, ensure the parking brake is engaged and/or chalk the rear tires.
2. From here you will begin with the center bracket mounting plate and U-bolts. Ensure the plate is positioned up against the differential and level under the tie rod. Using **(x4) 1/2"-13 Nuts**, tighten to **65 ft/lbs**.
3. With the center bracket in place, you will now mount the stabilizer clamps to the tie rod. Leaving these relatively loose at this time will make mounting the stabilizers easier.
4. Mount the stabilizer bodies to the center bracket, the laser cut "K" will capture both the center bracket and the stabilizers. You will use the **(x2) M12x1.75x80mm Flanged Bolts** for this.
5. Now attach the eyelet end of the stabilizers to your tie rod clamps using **(x2) M12x1.75x80mm Flanged Bolts**. Ensure all fasteners are tightened and check clearances by cycling the steering.
6. With everything clearanced and tested, ensure all of the fasteners are torqued to spec. (Torque diagram on reverse side of this page.)





SAEJ2492 WARNING: By installing this product, you acknowledge that the suspension of this vehicle has been modified. As a result, this vehicle may handle differently than factory-equipped vehicles. As with any vehicle, extreme care must be used to prevent loss of control or rollover during sharp turns or abrupt maneuvers. Always wear seat belts, and drive safely, recognizing that reduced speeds and specialized driving techniques may be required. Failure to drive this vehicle safely may result in serious injury or death. Do not drive this vehicle unless you are familiar with its unique handling characteristics and are confident of your ability to maintain control under all driving conditions. Some modifications (and combinations of modifications) are not recommended and may not be permitted in your state. Consult your owner's manual, the instructions accompanying this product, and state laws before undertaking these modifications. You are responsible for the legality and safety of the vehicle you modify using these components.

INSTALLATION ALIGNMENT NOTE: Your vehicle may require alignment after product installation. You may incur additional costs to align the vehicle.

INSTALLATION HEADLAMP AIM NOTE: In addition to your vehicle alignment, for your safety and others, it is necessary to check and adjust your vehicle headlamps for proper aim and alignment after product installation. You may incur additional costs to adjust the headlamp system.

INSTALLATION ADVANCED DRIVER ASSISTANCE SYSTEMS (ADAS) NOTE: If your vehicle is equipped with active or passive safety/collision monitoring and/or assistance/avoidance systems including, but not limited to, camera- or radar/sonar-based systems, check and adjust your vehicle's systems for proper aim and function after product installation. In some instances, your vehicle may require OEM dealer service tools and factory-trained technicians to re-calibrate ADAS. You may incur additional costs to adjust ADAS systems.